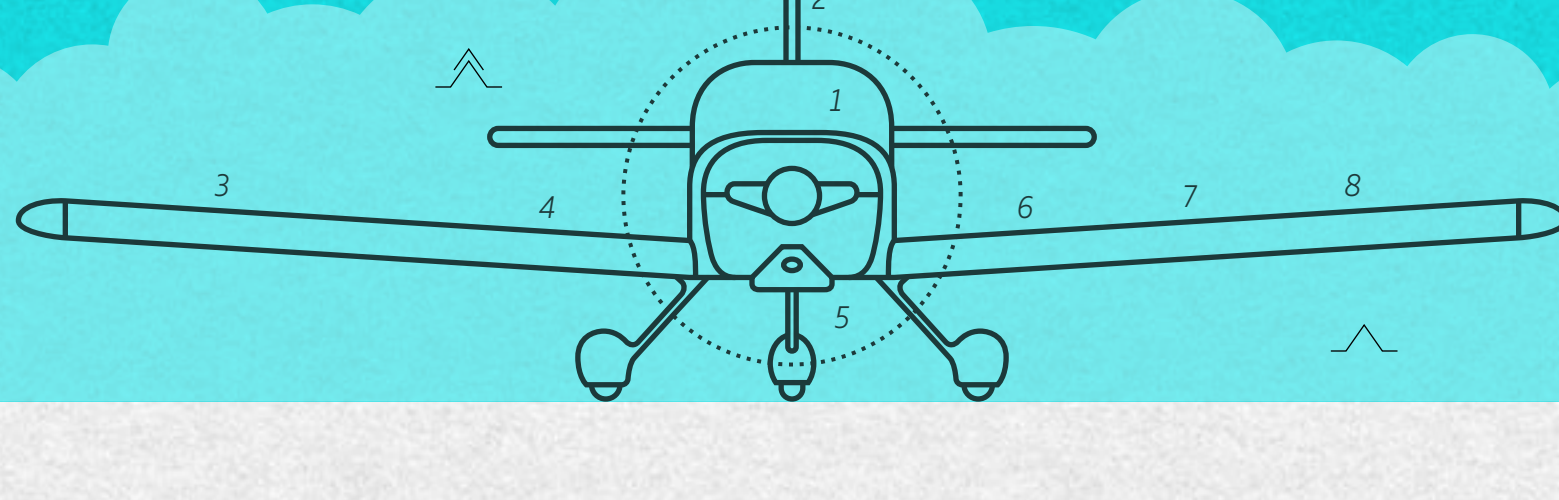


PREFLIGHT AND INFLIGHT CHECKLIST

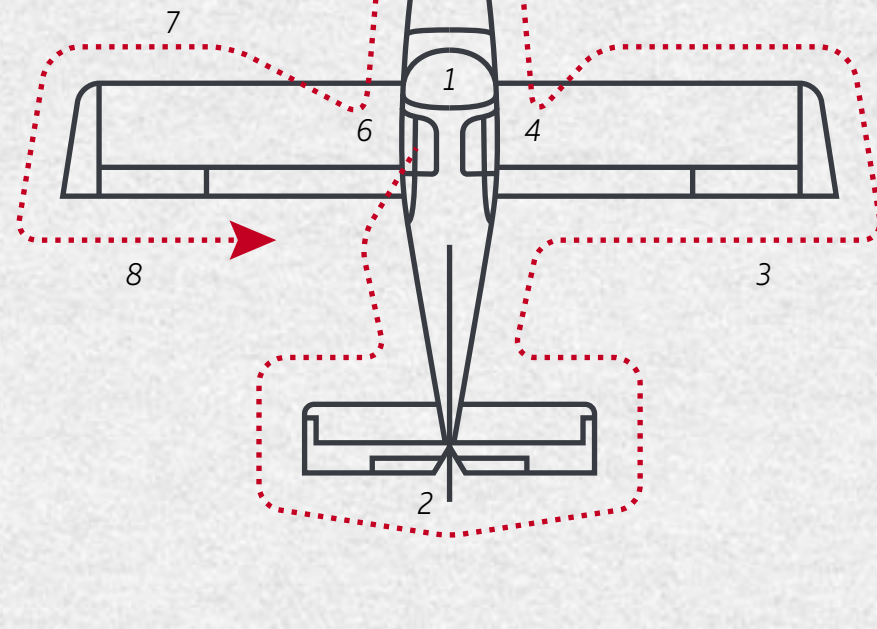


Migrations of any kind can be daunting. But moving workloads and applications from your own data center to an off-premises private cloud can be especially complex. For a successful migration, designed to minimize downtime and protect your data, you need expert guidance from professionals with deep knowledge of migration best practices.

Preflight Considerations

We recommend that you start by conducting an initial evaluation of your IT organization's overall readiness to complete a private cloud migration project. This will help you identify how much outside support you'll need during and after the migration.

Does your team have the in-house expertise and resources to:



- Run a private cloud migration project, while concurrently supporting your current technologies and responsibilities?
- Address security and PCI/HIPAA compliance requirements, especially on a platform where resources can be rapidly provisioned, used and destroyed?
- Adopt new processes needed to successfully operate on a private cloud, such as automation and cost optimization?
- Architect applications to achieve the desired scalability, security and uptime goals?
- Operate and maintain the health of your private cloud, including monitoring, patching, upgrading and capacity planning?

CHOOSING A MIGRATION PARTNER

THE FIVE "C" MODEL

To identify the right migration partner for your business, we recommend you explore five key areas:

- 1. CLARITY:** Identify your desired end state and determine if it supports your company's strategy – be it the corporate or technology strategy.
- 2. CAPABILITY:** Look for a partner with technical capabilities in your chosen technology (e.g., automation).
- 3. CONSULTING:** Look for a partner who complements your existing resources and commitments. Do you need a partner to advise, govern and orchestrate, or to provide business or engineering expertise?
- 4. CONTEXT:** Be sure you fully understand the context behind your migration. For example, do you need a partner who can understand and audit your applications, or one with experience in reverse engineering technology estates?
- 5. CUSTOMERS:** Consider speaking with a potential partner's existing customers, or ask for a proof of concept or a list of customers with proven track records and successful migration projects.

INFLIGHT GUIDE

Whether you're piloting your own migration journey, or entrusting it to migration specialists, you can use this Inflight Guide to help guide your course.

PLAN AND ASSESS

Lay a solid foundation by gathering important information about your current environment and requirements.

- Map your business services and applications, including dependencies
- Calculate your operational costs, including hardware, software and labor as well as hidden costs like facilities, recruitment and training
- Assemble security and compliance requirements
- Identify your critical-to-quality (CTQ) metrics, such as current downtime, your acceptable downtime and your ability to observe and respond to downtime when it occurs
- Determine how much risk is acceptable
- Identify individuals from your team who will be involved in the migration (including a project manager familiar with technical project delivery)

APPLICATION PROFILING

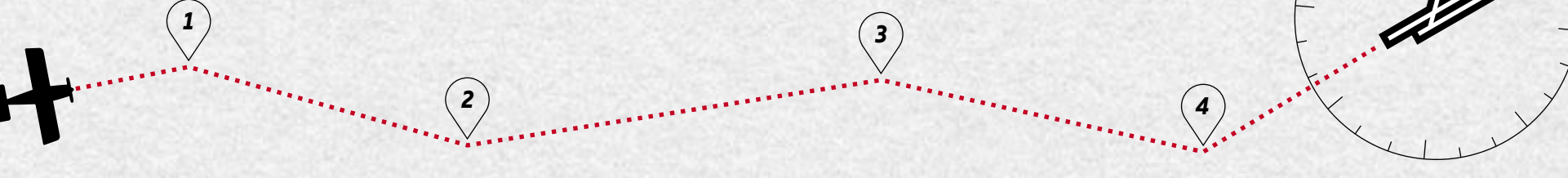
Use application profiling to gather and organize information about your applications and identify a corresponding migration strategy.

- Itemize and collect key information about your applications, such as application role, level of criticality and level of infrastructure automation
- Where applicable, determine the workload categories you currently support (for example, your business may primarily run database-intensive, compute-intensive and user-interface-intensive workloads)
- Determine your baseline current-state environment
- Explore how end users use your applications
- Make sure you understand the critical-to-quality metrics
- Match the requirements for each workload category, with the right cloud platform and configuration
- For the workload categories that fit best with private cloud, identify which workloads can be most-easily migrated to a private cloud, without the need to re-platform or refactor

DESIGN

Now that you have identified the workloads you want to migrate to the private cloud, it's time to design the migration.

- Align your platform-build and migration activities, and be sure you have access to both teams for creating operational schedules
- Build out your migration strategy into a runbook, detailing the procedures and operations you will follow throughout the migration
- Be sure all of your stakeholders are aware of known risks and issues associated with the migration
- Assemble a migration team to execute the migration
- Develop a comprehensive project plan to complement the runbook



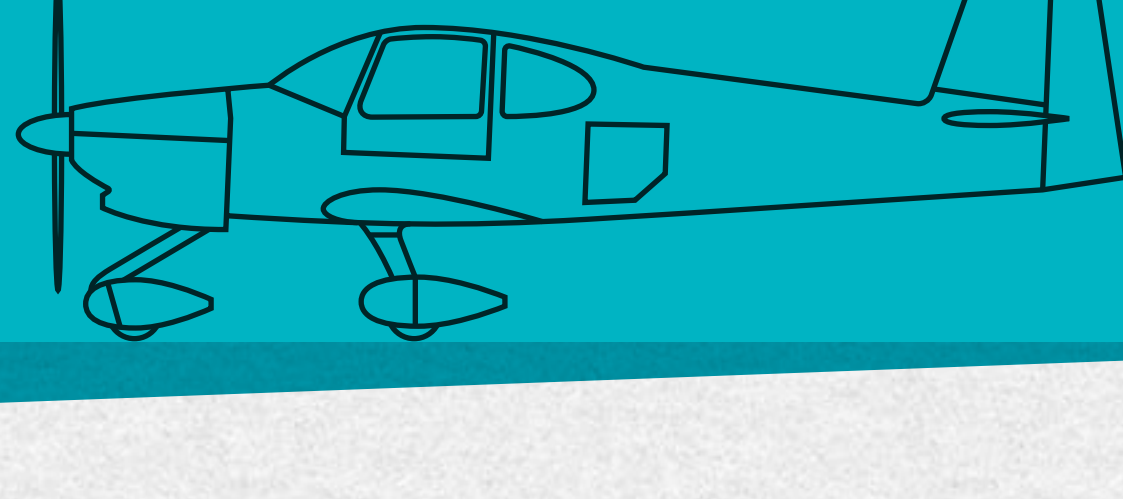
MIGRATE

At this point, you understand how your application is constructed and what its dependencies are, you've identified a migration strategy and you've exploded that out into a detailed migration runbook.

- Now, with runbook in hand – and a team of experts behind the wheel – you should be all set for a successful migration.
- Perform a dress rehearsal of the migration runbook and remediate as needed
- Identify ideal migration window
- Communicate migration plan to the business
- Establish a contingency plan for all of the "what-ifs"
- Ensure migration testing and rollback criteria are agreed upon and captured
- Execute the migration based on the plan
- Conduct post-migration validation of applications, data and network accessibility
- Cut-over and go-live

TRUST RACKSPACE

By choosing Rackspace, you can have direct access to a team of migration experts who perform migrations every day. We specialize in AWS, Azure®, VMware® and OpenStack®, and can help optimize your environment for speed and scalability. Plus, by offloading your ongoing management to Rackspace, you can focus technical resources on activities that truly differentiate your business.



Learn more about Rackspace and our private cloud offerings at

[rackspace.com/cloud/private](https://www.rackspace.com/cloud/private)

